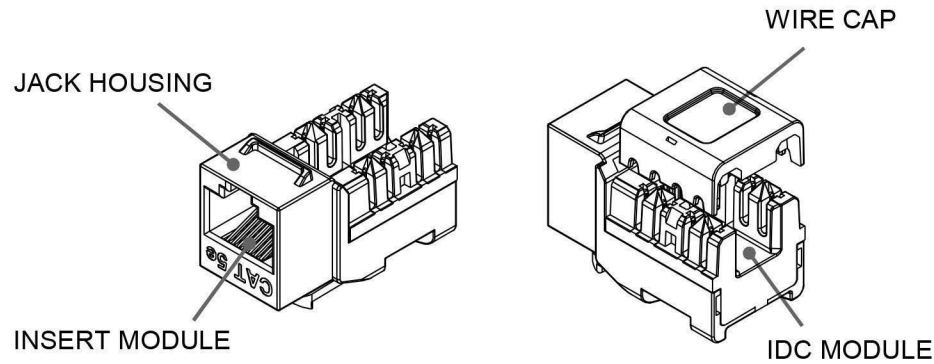


### ISOMETRIC VIEW



REVISIONS				
ZONE	REV	DESCRIPTION	DATE	APPROVED
	A	EG09025	04/06'09	Nick
	B	ECN:ME09230	10/14'09	Yabe
	C	ECN:ME09373	9/23 '09	TOM
	D	ECN ME12084, E LOGO UP E-JACK	03/20/12	Allan

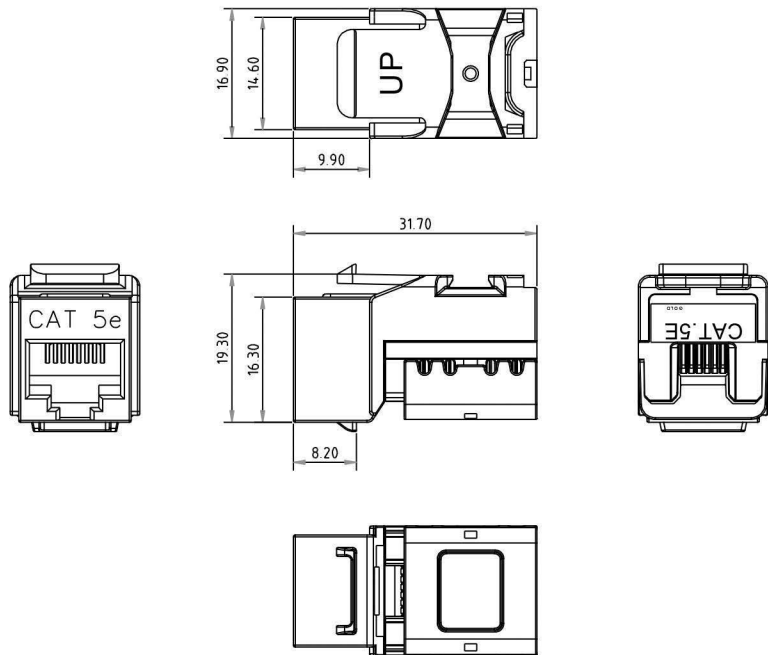
**TRANSMISSION PERFORMANCE**  
 Meet all requirements specified in connecting hardware requirement of ANSI/TIA/EIA-568-B.2 Cat.5e

**ELECTRICAL**  
 Electrical Insulation Resistance : 500 MΩ min. @ 100V d.c  
 Dielectric Withstanding Voltage : 1000V d.c. or a.c. Peak Contact to Contact @ 60Hz for 1 minute.

**MECHANICAL**  
 Insertion / Extraction Life : 750 Cycles Minimum  
 IDC Wire Gauge : 22 ~ 24 AWG

**PHYSICAL**  
 Housing : High-Impact, Flame-Retardant Plastic, UL 94V-0  
 Spring Wire : Phosphor Bronze Alloy Plated With 50 micro-inch of Gold  
 IDC : Phosphor Bronze Alloy With 100 micro-inch 100% Sn Alloy

### ASSEMBLY DIMENSION



COMPONENTS		
4	IDC MODULE	1
3	WIRE CAP	1
2	INSERT MODULE	1
1	JACK HOUSING	1
ITEM	PART NAME	Q'TY

UNLESS OTHERWISE SPECIFIED: TOLERANCES		PROJECT ID		<b>Weltron®</b>	
INCH	MM	ANGULAR	FILE		
.X ± .016	.X ± 0.2	X ± 1°	Nick	04/06'09	TITLE
.XX ± .008	.XX ± 0.1	.X ± .5°			<b>CAT 5e KEYSTONE JACK</b>
.XXX ± .004					SIZE
MATERIAL	SURFACE		CHECK		DRAWING NUMBER
	FINISH		APPROVED		PART NUMBER
					<b>44-678XX</b>
					REV
					<b>D</b>
SCALE		UNIT	SHEET		1 OF 1
		mm			